



Polynova PS

High Performance Non-metallic Enclosure System - IP66

Index

[Dimension Sheet](#)

[Catalogue Information](#)

[Leaflet](#)

Web Links

[Polynova PS Information Page](#)

[Ask a question / Send us an enquiry](#)

[Information about B&R](#)

[Local Sales Team Phone Numbers](#)

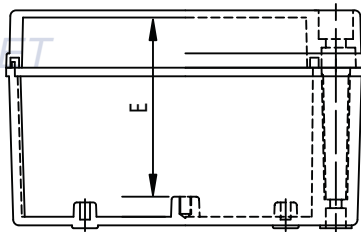
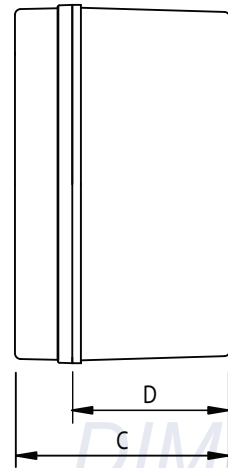
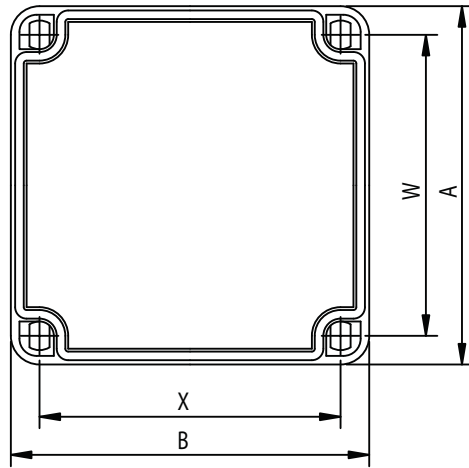


Ph: 03 5278 8222 Fax: 03 5278 9761
65 Douro Street, North Geelong VIC 3215
www.factorycontrols.com.au



DIMENSION SHEET

POLYNOVA PS



Model	Dimensions (mm)				Mounting centres	
	A	B	C	D	W	X
PS060505	65	50	55	35	52*	37*
PS080806	82	80	60	45	70*	68*
PS110804	110	80	45	25	92	62
PS110807	110	80	70	50	92	62
PS121207	125	125	75	55	105	105
PS121210	125	125	100	80	105	105
PS130808	130	80	85	50	112	62
PS160805	160	80	55	40	148	50
PS160809	160	80	90	75	148	50
PS171207	175	125	75	50	157	109
PS171210	175	125	100	50	157	109
PS171710	175	175	100	50	157	157
PS171712	175	175	125	50	157	157
PS180807	180	80	70	50	162	74
PS201507	200	150	75	50	182	132
PS201510	200	150	100	80	182	132
PS201513	200	150	130	80	182	182
PS202009	200	200	95	75	182	182
PS202013	200	200	130	110	182	182
PS250808	250	80	85	50	232	62
PS251510	250	150	100	80	232	132
PS251513	250	150	130	80	232	132
PS251707	250	175	75	50	232	157
PS251710	250	175	100	50	232	157

Opaque & Transparent covers available across the complete range



Polynova PS

High Performance Non-metallic Enclosure System - IP66

brenclosures.com.au/ps.htm



Polynova PS Features

- Bases and opaque covers manufactured from polyester, a thermoplastic self-extinguishing material
- Enclosures can be installed from the front without affecting the IP rating
- Approvals
CE marked
UL approval
- Materials
Opaque parts - polyester
Transparent parts - polycarbonate
- Surface finish - RAL7035
- Protection rating - IP66

The Polynova PS range is a high performance enclosure system available with either opaque or

transparent covers with an insulated mounting pan available as an option.

Polynova PS Selection Guide

Catalogue No		Dimensions (mm)				Screw Material	Weight (kg)
Opaque	Transparent	Height	Width	Depth	Cover Depth		
PS110804	PS110804T	110	80	45	20	plastic	0.19
PS060505*	-	60	50	55	20	304SS	0.13
PS160805	PS160805T	160	80	55	15	304SS	0.21
PS080806	PS080806T	82	80	60	15	304SS	0.19
PS110807	PS110807T	110	80	70	20	plastic	0.24
PS180807	PS180807T	180	80	70	20	plastic	0.29
PS121207	PS121207T	125	125	75	20	plastic	0.23
PS171207	PS171207T	175	125	75	25	plastic	0.36
PS201507	PS201507T	200	150	75	25	plastic	0.52
PS251707	PS251707T	250	175	75	25	plastic	0.59
PS130808	PS130808T	130	80	85	35	plastic	0.27
PS250808	PS250808T	250	80	85	35	plastic	0.43
PS160809	PS160809T	160	80	90	15	304SS	0.21
PS202009	PS202009T	200	200	95	20	plastic	0.68
PS121210	PS121210T	125	125	100	20	plastic	0.39
PS171210	PS171210T	175	125	100	50	plastic	0.46
PS201510	PS201510T	200	150	100	20	plastic	0.64
PS251510	PS251510T	250	150	100	20	plastic	0.75
PS171710	PS171710T	175	175	100	50	plastic	0.48
PS251710	PS251710T	250	175	100	50	plastic	0.63
PS171712	PS171712T	175	175	125	75	plastic	0.53
PS201513	PS201513T	200	150	130	50	plastic	0.79
PS202013	PS202013T	200	200	130	20	plastic	0.89
PS251513	PS251513T	250	150	130	50	plastic	0.92

* Mounting feet included, all other units mount through the enclosure with no enclosure drilling required

Polynova PS Accessories

Product	Description	Catalogue No	PS110804/(T)	PS060505/(T)	PS160805/(T)	PS080806/(T)	PS110807/(T)	PS180807/(T)	PS121207/(T)	PS171207/(T)	PS201507/(T)	PS251707/(T)	PS130808/(T)	PS250808/(T)	PS160809/(T)	PS202009/(T)	PS121210/(T)	PS171210/(T)	PS201510/(T)	PS251510/(T)	PS171710/(T)	PS251710/(T)	PS171712/(T)	PS201513/(T)	PS202013/(T)	PS251513/(T)		
Mounting pan - insulated	70x68x3.5 mm	PS0808/I				•																						
	96.5x68x3.5 mm	PS1108/I	•				•																					
	111x111x3.5 mm	PS1212/I							•									•										
	116x68x3.5 mm	PS1308/I											•															
	161x111x3.5 mm	PS1712/I								•									•									
	161x161x3.5 mm	PS1717/I																				•		•				
	165.5x68x3.5 mm	PS1808/I							•																			
	186x136x3.5 mm	PS2015/I										•									•				•			
	186x186x3.5 mm	PS2020/I															•								•			
	235x68x3.5 mm	PS2508/I													•													
	235x136x3.5 mm	PS2515/I																			•						•	
	235x156x3.5 mm	PS2517/I										•										•						

Introduction

General Purpose

Special Purpose

Multiple Application

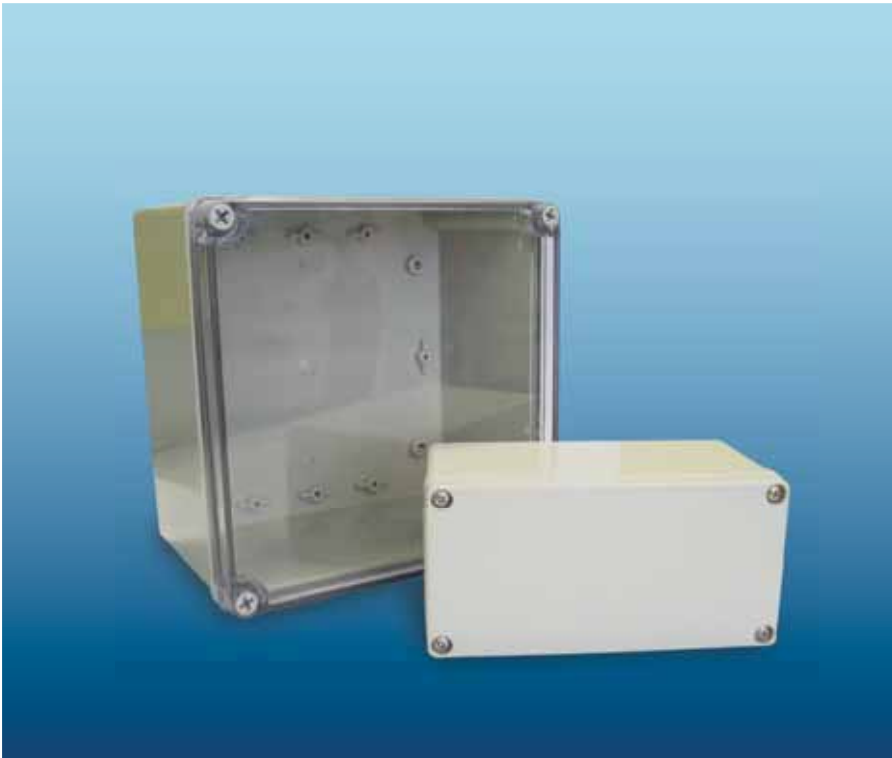
Datacoms

Ancillary Items

Enclosure Selection

Polynova PS

High Performance Non-metallic Enclosure System - IP66



The Polynova PS range is a high performance enclosure system rated to IP66. It is available with either opaque or transparent covers and comes in 24 sizes, with an insulated mounting pan available as an option.

Typical applications include housing terminations, push buttons and switchgear, where a higher IP rated enclosure is required.

Size Range Summary

Model	PS110804	PS060505	PS160805	PS080806	PS110807	PS180807
Height	110	65	160	82	110	180
Width	80	50	80	80	80	80
Depth	45	55	55	60	70	70

Model	PS121207	PS171207	PS201507	PS251707	PS130808	PS250808
Height	125	175	200	250	130	250
Width	125	125	150	175	80	80
Depth	75	75	75	75	85	85

Model	PS160809	PS202009	PS121210	PS171210	PS201510	PS251510
Height	160	200	125	175	200	250
Width	80	200	125	125	150	150
Depth	90	95	100	100	100	100

Model	PS171710	PS251710	PS171712	PS201513	PS251513	PS202013
Height	175	250	175	200	250	200
Width	175	175	175	150	150	200
Depth	100	100	125	130	130	130

Accessories Summary

Insulated mounting pans.

Polynova PS Features

- Protection rating of IP66 for complete protection from dust and high pressure hosing from any practicable direction
- Bases and opaque covers manufactured from polyester a thermoplastic self-extinguishing material
- Transparent covers manufactured from polycarbonate
- Thermoplastic or 304 stainless steel screws to ensure corrosion protection
- Internal mountings use metal inserts to prevent damage to the enclosure if overtightened
- All enclosures can be installed from the front without affecting the IP rating of the enclosure
- Materials are resistant to the weather and chemical agents
- Double insulation characteristics

Approvals
CE marked
UL approval

Materials
Opaque parts - Polyester
Transparent parts - Polycarbonate
Thickness - Varies

Surface Finish - Natural RAL7035

Protection Rating - IP66

Guides
Material selection - page 290

Also of interest
Larger sizes - page 38
Lower IP rating - page 26
Steel - page 54
Stainless Steel - page 90

Drawing
Page 261

Polynova PS Enclosures and Dimensions

Model	Cover Type	Dimensions (mm)			Cover Depth (mm)	Screw Material	Weight (kg)
		Height	Width	Depth			
PS110804	Opaque	110	80	45	20	Plastic	0.19
PS060505*	Opaque	60	50	55	20	304SS	0.13
PS160805	Opaque	160	80	55	15	304SS	0.21
PS080806	Opaque	82	80	60	15	304SS	0.19
PS110807	Opaque	110	80	70	20	Plastic	0.24
PS180807	Opaque	180	80	70	20	Plastic	0.29
PS121207	Opaque	125	125	75	20	Plastic	0.23
PS171207	Opaque	175	125	75	25	Plastic	0.36
PS201507	Opaque	200	150	75	25	Plastic	0.52
PS251707	Opaque	250	175	75	25	Plastic	0.59
PS130808	Opaque	130	80	85	35	Plastic	0.27
PS250808	Opaque	250	80	85	35	Plastic	0.43
PS160809	Opaque	160	80	90	15	304SS	0.21
PS202009	Opaque	200	200	95	20	Plastic	0.68
PS121210	Opaque	125	125	100	20	Plastic	0.39
PS171210	Opaque	175	125	100	50	Plastic	0.46
PS201510	Opaque	200	150	100	20	Plastic	0.64
PS251510	Opaque	250	150	100	20	Plastic	0.75
PS171710	Opaque	175	175	100	50	Plastic	0.48
PS251710	Opaque	250	175	100	50	Plastic	0.63
PS171712	Opaque	175	175	125	75	Plastic	0.53
PS201513	Opaque	200	150	130	50	Plastic	0.79
PS202013	Opaque	200	200	130	20	Plastic	0.89
PS251513	Opaque	250	150	130	50	Plastic	0.92
PS110804T	Opaque	110	80	45	20	Plastic	0.19
PS060505T*	Transparent	60	50	55	20	304SS	0.13
PS160805T	Transparent	160	80	55	15	304SS	0.21
PS080806T	Transparent	82	80	60	15	304SS	0.19
PS110807T	Transparent	110	80	70	20	Plastic	0.24
PS180807T	Transparent	180	80	70	20	Plastic	0.29
PS121207T	Transparent	125	125	75	20	Plastic	0.23
PS171207T	Transparent	175	125	75	25	Plastic	0.36
PS201507T	Transparent	200	150	75	25	Plastic	0.52
PS251707T	Transparent	250	175	75	25	Plastic	0.59
PS130808T	Transparent	130	80	85	35	Plastic	0.27
PS250808T	Transparent	250	80	85	35	Plastic	0.43
PS160809T	Transparent	160	80	90	15	304SS	0.21
PS202009T	Transparent	200	200	95	20	Plastic	0.68
PS121210T	Transparent	125	125	100	20	Plastic	0.39
PS171210T	Transparent	175	125	100	50	Plastic	0.46
PS201510T	Transparent	200	150	100	20	Plastic	0.64
PS251510T	Transparent	250	150	100	20	Plastic	0.75
PS171710T	Transparent	175	175	100	50	Plastic	0.48
PS251710T	Transparent	250	175	100	50	Plastic	0.63
PS171712T	Transparent	175	175	125	75	Plastic	0.53
PS201513T	Transparent	200	150	130	50	Plastic	0.79
PS202013T	Transparent	200	200	130	20	Plastic	0.89
PS251513T	Transparent	250	150	130	50	Plastic	0.92

* Mounting feet included



Non-metallic

General Purpose

Stainless Steel

Mining & Hazardous

Switchboard Building

Datacoms

Climate Control

Technical Drawings

Enclosure Selection

Polynova PS Accessories

Insulated Mounting Pan

An insulated mounting pan is supplied as standard in the Polynova PS range. They are supplied with all fixings and fittings required for the installation.

Catalogue Number	To suit enclosure Height x Width (mm)	Mounting Pan Size (mm)		
		Height	Width	Thickness
PS0808/I	82 x 80	70	68	3.5
PS1108/I	110 x 80	96.5	68	3.5
PS1212/I	125 x 125	111	111	3.5
PS1308/I	130 x 80	116	68	3.5
PS1712/I	175 x 125	161	111	3.5
PS1717/I	175 x 175	161	161	3.5
PS1808/I	180 x 80	165.5	68	3.5
PS2015/I	200 x 150	186	136	3.5
PS2020/I	200 x 200	186	186	3.5
PS2508/I	250 x 80	235	68	3.5
PS2515/I	250 x 150	235	136	3.5
PS2517/I	250 x 170	235	156	3.5



GENERAL PURPOSE

POLYNOVA PS

The Polynova PS range is a cost effective, high performance, non-metallic enclosure system rated to IP66. It is available with either opaque or transparent lids and comes in 24 different sizes.

This enclosure is constructed from polyester and uses polycarbonate for transparent lids. It is IP66 and is suitable for indoor and outdoor use. The use of polyester makes the PS a highly rigid, light weight enclosure that is impact and flame resistant. The PS is also UV stabilised, and is able to continuously withstand temperatures from -40° to 75°C, to suit a wide range of applications.

The PS is typically suited to environments that require a higher IP rating. Common applications include housing terminations, signal infrastructure, push buttons and switch gear.

The enclosures are designed with a screw on lid and has the provision for easy to install mounting pan or DIN rail.

Screw on lid



Flame resistant

Contact your local B&R office for details
www.brenclosures.com.au

TECHNICAL INFORMATION



Model	Cover Type	Dimensions (mm)			Cover Depth (mm)	Usable Depth (mm)	Screw Material	Gland Knockouts
		Height	Width	Depth				
PS060505*	Opaque	60	50	55	20	45	304SS	No
PS080806	Opaque	82	80	60	15	50	304SS	No
PS110804	Opaque	110	80	45	20	35	Plastic	No
PS110807	Opaque	110	80	70	20	60	Plastic	No
PS121207	Opaque	125	125	75	20	65	Plastic	No
PS121210	Opaque	125	125	100	20	90	Plastic	No
PS130808	Opaque	130	80	85	35	75	Plastic	No
PS160805	Opaque	160	80	55	15	45	304SS	No
PS160809	Opaque	160	80	90	15	80	304SS	No
PS171207	Opaque	175	125	75	25	65	Plastic	Yes
PS171210	Opaque	175	125	100	50	90	Plastic	Yes
PS171710	Opaque	175	175	100	50	90	Plastic	Yes
PS171712	Opaque	175	175	125	75	115	Plastic	Yes
PS180807	Opaque	180	80	70	20	60	Plastic	No
PS201507	Opaque	200	150	75	25	60	Plastic	No
PS201510	Opaque	200	150	100	20	90	Plastic	No
PS201513	Opaque	200	150	130	50	120	Plastic	No
PS202009	Opaque	200	200	95	20	85	Plastic	No
PS202013	Opaque	200	200	130	20	120	Plastic	No
PS250808	Opaque	250	80	85	35	75	Plastic	No
PS251510	Opaque	250	150	100	20	90	Plastic	No
PS251513	Opaque	250	150	130	50	120	Plastic	No
PS251707	Opaque	250	175	75	25	65	Plastic	Yes
PS251710	Opaque	250	175	100	50	90	Plastic	Yes
PS080806T	Transparent	82	80	60	15	50	304SS	No
PS110804T	Transparent	110	80	45	20	35	Plastic	No
PS110807T	Transparent	110	80	70	20	60	Plastic	No
PS121207T	Transparent	125	125	75	20	65	Plastic	No
PS121210T	Transparent	125	125	100	20	90	Plastic	No
PS130808T	Transparent	130	80	85	35	75	Plastic	No
PS160805T	Transparent	160	80	55	15	45	304SS	No
PS160809T	Transparent	160	80	90	15	80	304SS	No
PS171207T	Transparent	175	125	75	25	65	Plastic	Yes
PS171210T	Transparent	175	125	100	50	90	Plastic	Yes
PS171710T	Transparent	175	175	100	50	90	Plastic	Yes
PS171712T	Transparent	175	175	125	75	115	Plastic	Yes
PS180807T	Transparent	180	80	70	20	60	Plastic	No
PS201507T	Transparent	200	150	75	25	60	Plastic	No
PS201510T	Transparent	200	150	100	20	90	Plastic	No
PS201513T	Transparent	200	150	130	50	120	Plastic	No
PS202009T	Transparent	200	200	95	20	85	Plastic	No
PS202013T	Transparent	200	200	130	20	120	Plastic	No
PS250808T	Transparent	250	80	85	35	75	Plastic	No
PS251510T	Transparent	250	150	100	20	90	Plastic	No
PS251513T	Transparent	250	150	130	50	120	Plastic	No
PS251707T	Transparent	250	175	75	25	65	Plastic	Yes
PS251710T	Transparent	250	175	100	50	90	Plastic	Yes

* Mounting feet included, all other units mount through the enclosure with no enclosure drilling required. Insulated mounting pans are available as an optional accessory for all PS enclosures.

For more information on available accessories, see our website at www.brenclosures.com.au/ps.htm.

www.brenclosures.com.au



Ph: 03 5278 8222 Fax: 03 5278 9761
65 Douro Street, North Geelong VIC 3215
www.factorycontrols.com.au

SALES OFFICES

Queensland (Brisbane)
Ph 07 3714 1000

Queensland (Townsville)
Ph 07 4775 6255

New South Wales (Sydney)
Ph 02 9687 0077

New South Wales (Newcastle)
Ph 02 4961 4433

Victoria (Melbourne)
Ph 03 8588 8400

South Australia (Adelaide)
Ph 08 8243 1166

Western Australia (Perth)
Ph 08 9248 9744

Tasmania (Launceston)
Ph 03 6331 5545

Northern Territory (Darwin)
Ph 08 8947 0870