



Universal NI - Zinc Coated Steel General Purpose Enclosure - IP66

Index

[Dimension Sheet](#)

[Dimension Sheet – Viewing Window](#)

[Catalogue Information](#)

[Leaflet](#)

Web Links

[Universal NI Information Page](#)

[Ask a question / Send us an enquiry](#)

[Information about B&R](#)

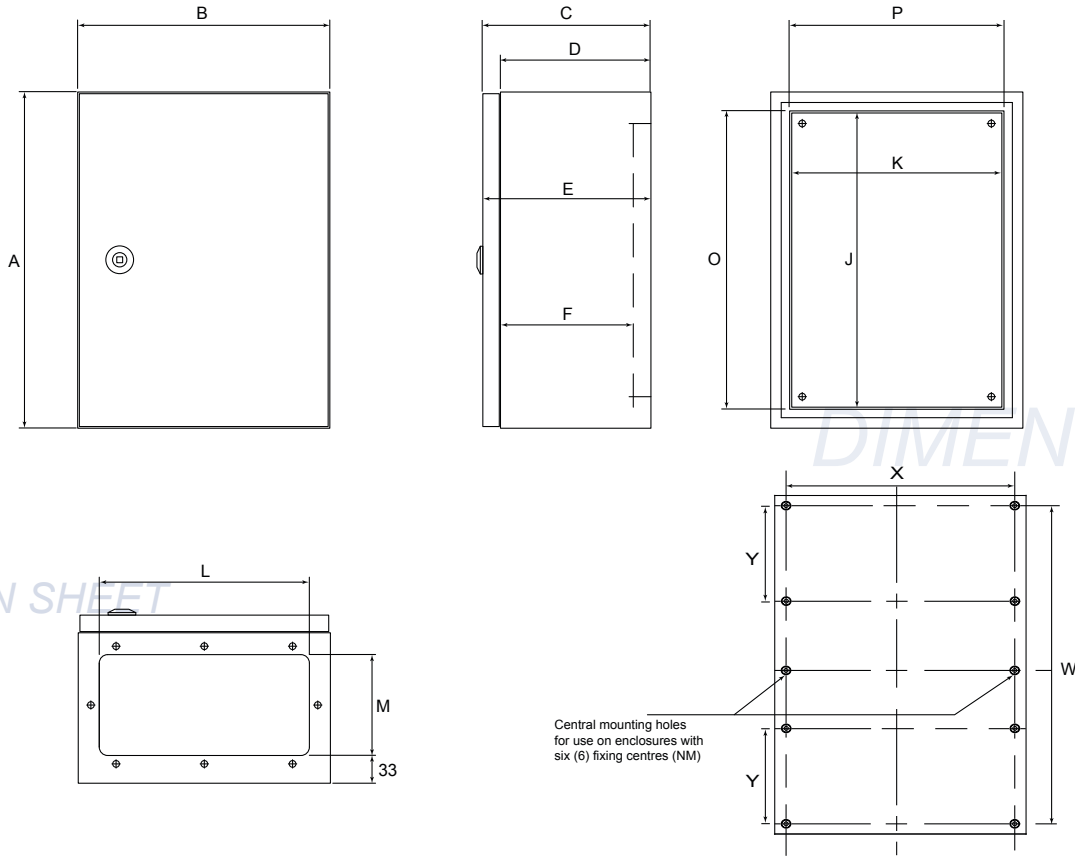
[Local Sales Team Phone Numbers](#)



Ph: 03 5278 8222 Fax: 03 5278 9761
65 Douro Street, North Geelong VIC 3215
www.factorycontrols.com.au



UNIVERSAL NI



Central mounting holes for use on enclosures with six (6) fixing centres (NM)

Powdercoated Enclosures

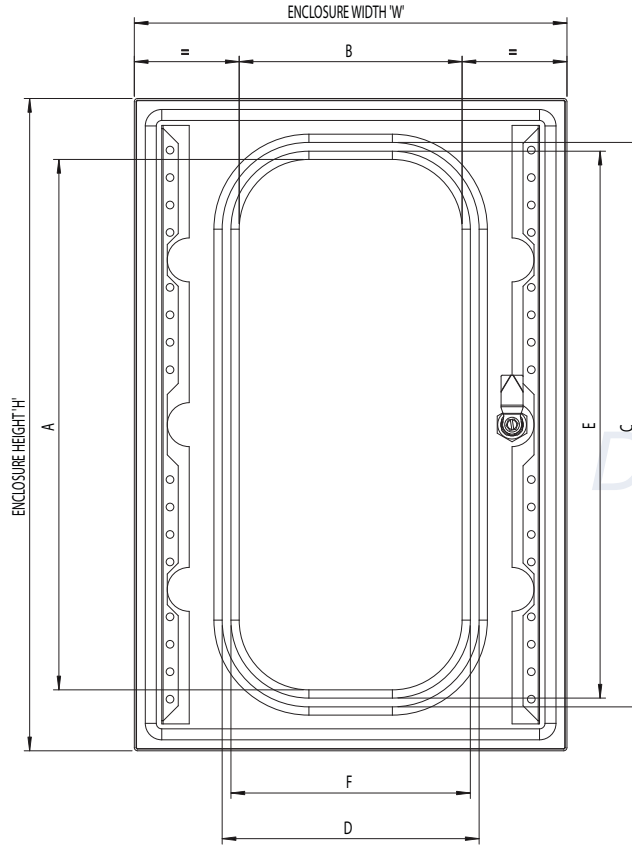
Catalogue Number	External Dimensions				Internal Depth		Mounting Pan		Opening Size		Gland Plate		Fixing Centres*				No of Locks	
	A	B	C	D	E	F	J	K	O	P	L	M	W	X	Y	NM	NL	
NI03021	300	200	150	129	145	108	250	150	255	155	—	—	225	125	—	4	1	
NI03031	300	300	150	129	145	108	250	250	255	255	—	—	225	225	—	4	1	
NI03041	300	400	150	129	145	108	250	350	255	355	—	—	225	325	—	4	1	
NI03042	300	400	200	179	195	158	250	350	255	355	250	120	225	325	—	4	1	
NI04032	400	300	200	179	195	158	350	250	355	255	250	120	325	225	—	4	1	
NI04042	400	400	200	179	195	158	350	350	355	355	250	120	325	325	—	4	1	
NI05042	500	400	200	179	195	158	450	350	455	355	250	120	425	325	—	4	1	
NI06042	600	400	200	179	195	158	550	350	555	355	250	120	525	325	—	4	1	
NI04062	400	600	200	179	195	158	350	550	355	555	440	120	325	525	—	4	1	
NI05052	500	500	200	179	195	158	450	450	455	455	440	120	425	425	—	4	1	
NI06062	600	600	200	179	195	158	550	550	555	555	440	120	525	525	—	4	1	
NI08062	800	600	200	179	195	158	750	550	755	555	440	120	725	525	—	6	2	
NI10062	1000	600	200	179	195	158	950	550	955	555	440	120	925	525	—	6	2	
NI04043	400	400	300	279	295	258	350	350	355	355	250	120	325	325	—	4	1	
NI04063	400	600	300	279	295	258	350	550	355	555	440	120	325	525	—	4	1	
NI06043	600	400	300	279	295	258	550	350	555	355	250	120	525	325	—	4	1	
NI06063	600	600	300	279	295	258	550	550	555	555	440	120	525	525	—	4	1	
NI08063	800	600	300	279	295	258	750	550	755	555	440	120	725	525	—	6	2	
NI08083	800	800	300	279	295	258	750	750	755	755	440	120	725	725	—	6	2	
NI10063	1000	600	300	279	295	258	950	550	955	555	440	120	925	525	—	6	2	
NI10083	1000	800	300	279	295	258	950	750	955	755	440	120	925	725	—	6	2	
NI12083	1200	800	300	279	295	258	1150	750	1155	755	440	120	1125	725	337.5	8	2	

* M8 Bolt



DIMENSION SHEET

UNIVERSAL NI – VIEWING WINDOW



Door Inside View

Catalogue Number	Enclosure Size		Viewing Area		Cutout Size		Window Size	
	Height	Width	A	B	C	D	E	F
NI0303	300	300	186	106	214	134	198	118
NI0304	300	400	186	206	214	234	198	218
NI0403 NI0403/S	400	300	286	106	314	134	298	118
NI0404 NI0404/S	400	400	286	206	314	234	298	218
NI0406 NI0406/S	400	600	286	406	314	434	298	418
NI0504	500	400	386	206	414	234	398	218
NI0505	500	500	386	306	414	334	398	318
NI0604 NI0604/S	600	400	486	206	514	234	498	218
NI0606 NI0606/S	600	600	486	406	514	434	498	418
NI0806 NI0806/S	800	600	686	406	714	434	698	418
NI0808 NI0808/S	800	800	606	606	634	634	698	618
NI1006 NI1006/S	1000	600	886	406	914	434	898	418
NI1008 NI1008/S	1000	800	806	606	834	634	818	618
NI1208 NI1208/S	1200	800	1006	606	1034	634	1018	618



Universal NI - Zinc Coated Steel General Purpose Enclosures - IP66

brenclosures.com.au/nizs.htm



Universal NI Features

- Threaded sockets on the rear of the enclosure to allow mounting feet attachment without compromising IP rating
- 120° door opening for ease of access to internal systems
- Approvals
CE marked
Lloyds
- Materials
Body - zinc coated steel
Body thickness - 1.2/1.6mm
Gasket - polyurethane
- Surface finish - powdercoated, also available in a ripple X-15 orange
- Protection rating - IP66

The Universal NI is a general purpose enclosure built for industrial or demanding environments. It includes innovative threaded fittings suitable

for installing mounting brackets, which ensure that the IP66 rating is maintained.

Inclusions

Steel mounting pan, gland plate (200mm deep and above), 7 mm square turnbuckle lock (NI020), door rails, earth strap kit.

Universal NI Selection Guide

Catalogue No	Dimensions (mm)				Mounting Pan (mm)			Fixing points**	No of locks	Weight (kg)
	Height	Width	Depth	Usable Depth*	Height	Width	Thk. (mm)			
NI03021	300	200	150	125	250	150	1.2	4	1	3.9
NI03031	300	300	150	125	250	250	1.2	4	1	5.3
NI03041	300	400	150	125	250	350	1.2	4	1	6.7
NI04032	400	300	200	175	350	250	1.6	4	1	7.5
NI03042	300	400	200	175	250	350	1.6	4	1	7.4
NI04042	400	400	200	175	350	350	1.6	4	1	11.8
NI05042	500	400	200	175	450	350	1.6	4	1	14.3
NI06042	600	400	200	175	550	350	1.6	4	1	16.7
NI05052	500	500	200	175	450	450	1.6	4	1	17.0
NI04062	400	600	200	175	350	550	1.6	4	1	16.4
NI06062	600	600	200	175	550	550	1.6	4	1	23.2
NI08062	800	600	200	175	750	550	1.6	6	2	29.9
NI10062	1000	600	200	175	950	550	1.6	6	2	36.7
NI04043	400	400	300	275	350	350	1.6	4	1	14.1
NI06043	600	400	300	275	550	350	1.6	4	1	19.5
NI04063	400	600	300	275	350	550	1.6	4	1	19.2
NI06063	600	600	300	275	550	550	1.6	4	1	26.6
NI08063	800	600	300	275	750	550	1.6	6	2	33.9
NI10063	1000	600	300	275	950	550	1.6	6	2	41.2
NI08083	800	800	300	275	750	750	1.6	6	2	42.7
NI10083	1000	800	300	275	950	750	1.6	6	2	51.8
NI12083	1200	800	300	275	1150	750	1.6	8	2	61.0

* Mounting pan to underside of door

** Suits M8 fixing

Universal NI Accessories

Product	Description	Catalogue No	NI03021	NI03031	NI03041	NI03042	NI04032	NI04042	NI04043	NI04062	NI04063	NI05042	NI06052	NI06042	NI06043	NI06062	NI06063	NI08062	NI08063	NI08083	NI10062	NI10063	NI10083	NI12083
			Rainhood	30 mm high	NIRH021	•																		
	30 mm high	NIRH031		•																				
	30 mm high	NIRH032					•																	
	30 mm high	NIRH041			•																			
	30 mm high	NIRH042				•		•				•		•										
	30 mm high	NIRH043							•						•									
	30 mm high	NIRH052										•												
	30 mm high	NIRH062								•						•		•				•		
	30 mm high	NIRH063									•						•		•			•		
	30 mm high	NIRH083																		•			•	•
Vent kit - external	130 x 130 mm	IPVK	•	•	•	•	•	•	•	•	•	•	•	•	•	•	•	•	•	•	•	•	•	•
Wall mounting brackets (pack of 4)	316 stainless steel	MEB/S	•	•	•	•	•	•	•	•	•	•	•	•	•	•	•	•	•	•	•	•	•	•
Mounting flange kit - 316 stainless steel	75 x 200 mm	MF2/S	•																					
	75 x 300 mm	MF3/S		•			•																	
	75 x 400 mm	MF4/S			•	•		•	•			•		•	•									
	75 x 600 mm	MF6/S								•	•					•	•	•	•		•	•		
	75 x 800 mm	MF8/S																			•		•	•

Universal NI Locks

Product	Description	Catalogue No	Standard Lock/Insert	Alternative insert	Keys		
					Lockable handles	Plastic, 3-way	Aluminium, 3-way
Turnbuckle	chromed steel	NI020*	7 mm square - steel*	See below		SKU	SKZ
	powdercoated	NI020/PS	7 mm square - stainless steel	See below		SKU	SKZ
	stainless steel	NI020/S	7 mm square - stainless steel	See below		SKU	SKZ
Wing knob	lockable	NI030	Key code 92268	-	SK3		
	non-lockable	NI111	-	-			
T handle	lockable	NI040	Key code 92268	-	SK3		
L handle	lockable	NI050	Key code 92268	-	SK3		
	padlockable	NI052	-	-			

Locks Inserts for NI020 Locks

To suit lock style	Description	To suit turnbuckle lock	Standard Insert	3mm double bit pin		8mm square		8mm triangle	
				Steel	Stainless Steel	Steel	Stainless Steel	Steel	Stainless Steel
Turnbuckle	chromed steel	NI020*	7 mm square - steel*	LKINS3P		LKINS8S		LKINS8T	
	powdercoated with SS insert	NI020/PS	7 mm square - stainless steel	LKINS3P	LKINS3P/S	LKINS8S	LKINS8S/S	LKINS8T	LKINS8T/S
	stainless steel	NI020/S	7 mm square - stainless steel		LKINS3P/S		LKINS8S/S		LKINS8T/S
Key required - aluminium			SKZ	SKZ	SK8	SK8	SKZ	SKZ	
Key required - plastic			SKU	SKU	-	-	SKU	SKU	

* Standard

Universal NI

General Purpose Enclosures - IP66



The Universal NI is a general purpose enclosure built for industrial or demanding environments. Ease of access is assured by the reversible door, which opens to a full 120 degrees. The Universal NI range includes a mounting pan, door rails, earth strap kit and innovative external mounting bracket fittings, which ensure that the IP66 rating is maintained when fitted. Typical installations are for industrial automation and process control applications.

Size Range Summary

Model	NI03021	NI03031	NI03041	NI04032	NI03042	NI04042	NI06042	NI05042
Height	300	300	300	400	300	400	600	500
Width	200	300	400	300	400	400	400	400
Depth	150	150	150	200	200	200	200	200

Model	NI05052	NI04062	NI06062	NI08062	NI10062	NI04043	NI06043	NI04063
Height	500	400	600	800	1000	400	600	400
Width	500	600	600	600	600	400	400	600
Depth	200	200	200	200	200	300	300	300

Model	NI06063	NI08063	NI10063	NI08083	NI10083	NI12083
Height	600	800	1000	800	1000	1200
Width	600	600	600	800	800	800
Depth	300	300	300	300	300	300

Inclusions

Gloss white mounting pan, gland plate (200 mm deep and above only, fitted internally or externally), 7 mm square turnbuckle lock (NI020), earth strap kit.

Accessories Summary

Vent kit, climate control, rainhoods, mounting brackets, viewing windows, climate control equipment and various lock options.

Universal NI Features

- Protection rating of IP66 certified by NATA to ensure the ultimate protection against dust and water in demanding conditions
- Zincanneal® steel, corrosion resistant construction with a ripple powdercoated paint finish for extra durability in the harsh Australian climate
- Fully welded construction manufactured with reinforced doors for extra durability when mounting equipment
- 120° door opening for ease of access to internal systems
- Gland plate supplied as standard on 200 & 300 mm deep enclosures
- Specially designed gutter system that helps extend the life of the gasket whilst preventing water from entering the enclosure
- Polyurethane gasket foamed in place to ensure sealing, protecting internal equipment
- Earthing strap included for additional safety
- Optional viewing window for monitoring equipment operation

Approvals

CE marked
Lloyds

Materials

Body - Zincanneal® steel
Body Thickness - 1.2/1.6 mm
Gasket - Polyurethane

Surface Finish - Powdercoat
RAL7032 (also available in a ripple X-15 orange)

Protection Rating - IP66

Guides

Material selection - page 290

Also of interest

Smaller sizes - page 54
Larger sizes - page 70
Lower IP rating - page 58

Drawing

Page 269

Universal NI Enclosures & Dimensions

Model	Dimensions (mm)			Mounting Pan (mm)		Usable Depth* (mm)	Material Thickness (mm)	Weight (kg)
	Height	Width	Depth	Height	Width			
NI03021	300	200	150	250	150	125	1.2	3.9
NI03031	300	300	150	250	250	125	1.2	5.3
NI03041	300	400	150	250	350	125	1.2	6.7
NI04032	400	300	200	350	250	175	1.6	7.5
NI03042	300	400	200	250	350	175	1.6	7.4
NI04042	400	400	200	350	350	175	1.6	11.8
NI05042	500	400	200	450	350	175	1.6	14.3
NI06042	600	400	200	550	350	175	1.6	16.7
NI05052	500	500	200	450	450	175	1.6	17.0
NI04062	400	600	200	350	550	175	1.6	16.4
NI06062	600	600	200	550	550	175	1.6	23.2
NI08062	800	600	200	750	550	175	1.6	29.9
NI10062	1000	600	200	950	550	175	1.6	36.7
NI04043	400	400	300	350	350	275	1.6	14.1
NI06043	600	400	300	550	350	275	1.6	19.5
NI04063	400	600	300	350	550	275	1.6	19.2
NI06063	600	600	300	550	550	275	1.6	26.6
NI08063	800	600	300	750	550	275	1.6	33.9
NI10063	1000	600	300	950	550	275	1.6	41.2
NI08083	800	800	300	750	750	275	1.6	42.7
NI10083	1000	800	300	950	750	275	1.6	51.8
NI12083	1200	800	300	1150	750	275	1.6	61.0

* Mounting pan to underside of door



Universal NI Accessories

Vent Kit

Ensures that the enclosure does not become excessively hot by allowing natural circulation of air. The vent kit includes a gasket, insert filter and fittings. Note that by the nature of this item, the enclosure will then not be rated to IP66.

Catalogue No	Description
IPVK	Vent Kit 130 x 130 mm, to suit cutout 80 x 80 mm



Climate Control

B&R supply a wide variety of climate control equipment to suit almost any application. For full details please see the climate control section of this catalogue starting on page 188. The below shows typical selections only.

Catalogue Number	Description	Dimensions (mm)			Power (W)
		Height	Width	Depth	
TX-FAN23BN0A	Fan – External, Output 110m ³ /h	250	250	111	20
TX-FAN25BN0A	Fan – External, Output 230m ³ /h	250	250	119	56
TX-FAN35BN0A	Fan – External, Output 550m ³ /h	325	325	151	90
TX-FIL25XN0A	Filter – Suits 110 or 230m ³ /h output fan	250	250	30	—
TX-FIL35XN0A	Filter – Suits 550m ³ /h output fan	325	325	30	—
TX-EGO10BM1A	Air Conditioner – Side mounted, 1050W cooling capacity	783	348	213	570
TX-MIX36BX0A	Heat Exchanger (air-air) – Side mounted 36W/K cooling	771	316	93	140



Non-metallic

General Purpose

Stainless Steel

Mining & Hazardous

Switchboard Building

Datacoms

Climate Control

Technical Drawings

Enclosure Selection

Universal NI Accessories (continued)

Rainhoods

Rainhoods are designed to prevent buildup of water on the flat surface on the top of the enclosure. They all have a slight slope towards the front, and protrude over the doors of the enclosure.

Rainhoods are manufactured from Zincanneal® Steel in a finish to match the enclosure.



Catalogue Number	To suit enclosure Width x Depth (mm)	Dimensions (mm)		Slope Angle (degrees)
		Width	Depth	
NIRH021	200 x 150	200	165	3.5
NIRH031	300 x 150	300	165	3.5
NIRH032	300 x 200	300	215	2.7
NIRH041	400 x 150	400	165	3.5
NIRH042	400 x 200	400	215	2.7
NIRH043	400 x 300	400	315	1.8
NIRH052	500 x 200	500	215	2.7
NIRH062	600 x 200	600	215	2.7
NIRH063	600 x 300	600	315	1.8
NIRH083	800 x 300	800	315	1.8

Mounting Brackets and Flanges

Mounting brackets are designed to suit the Universal NI external fixing points, so no drilling into the enclosure is required, and the IP rating is maintained. Both the brackets and flanges have a standoff height of 12 mm from the mounting surface. This allows air to circulate around the back of the enclosure, and also prevents any build up of debris.

Brackets and flanges are manufactured from 2 mm thick 316 Stainless Steel and all fixings are supplied to mount to the enclosure.

NB: NI Enclosures of 800 mm and higher require six mounting brackets, i.e. two packs of MEB/S.



Catalogue Number	Description	Dimensions (mm)		To suit enclosures Width (mm)
		Height	Width	
MEB/S	4 Individual Mounting brackets and fittings	75	47	All
MF2/S	Mounting flange kit, to suit 200mm wide	75	200	200
MF3/S	Mounting flange kit, to suit 300mm wide	75	300	300
MF4/S	Mounting flange kit, to suit 400mm wide	75	400	400
MF6/S	Mounting flange kit, to suit 600mm wide	75	600	600
MF8/S	Mounting flange kit, to suit 800mm wide	75	800	800

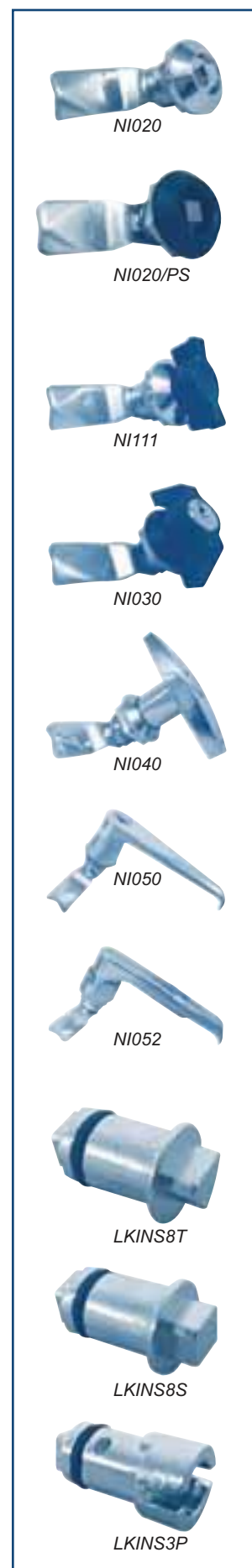
Universal NI Accessories

Locks

To ensure that the contents of the enclosure remain safe, a wide range of different styles of locks are available. These include keyed locking systems and 'T' and 'L' handle locks for easy opening.

Also available is a range of lock inserts for B&R's standard turnbuckle lock. This can help standardise locks across a site.

Catalogue No	Description
NI020	Standard 7 mm square turnbuckle lock
NI020/DC	Dust cap for NI020 lock
NI020/PS	Black powdercoat zinc diecast lock with stainless steel 7 mm square pin
NI020/S	Stainless steel turnbuckle lock 7 mm square pin
NI111	Non lockable wing knob
NI030	Lockable wing knob keyed to code 92268
NI040	Lockable 'T' handle keyed to code 92268
NI050	Lockable 'L' handle keyed to code 92268
NI052	Padlockable 'L' handle
NI030/CL001	Lockable wing knob keyed to CL001
NI030/L003	Lockable wing knob (fire service lock) keyed to L003
LKINS8T	Lock insert 8mm triangle 020 series suitable for turnbuckle locks only
LKINS8S	Lock insert 8mm square 020 series suitable for turnbuckle locks only
LKINS3P	Lock Insert 3mm pin double bit 020 series suitable for turnbuckle locks only
LKINS8T/S	Lock insert 8mm triangle stainless steel 020 series suitable for turnbuckle locks only
LKINS8S/S	Lock insert 8mm square stainless steel 020 series suitable for turnbuckle locks only
LKINS3P/S	Lock insert 3mm pin double bit stainless steel 020 series suitable for turnbuckle locks only



Non-metallic

General Purpose

Stainless Steel

Mining & Hazardous

Switchboard Building

Datacoms

Climate Control

Technical Drawings

Enclosure Selection



GENERAL PURPOSE

UNIVERSAL NI

Water is prevented from entering the enclosure on opening by a specially design gutter system

Easy access with a reversible door opening to 120°

Robust 7mm square chrome locking system



Corrosion resistant zinc coated steel with powdercoat paint finish

The Universal NI is a general purpose enclosure built for industrial applications. It is rated to IP66, and includes a feature allowing quick and easy wall mounting, with no drilling required.

Universal NI enclosures are also designed to maximise life in service. They are manufactured from 1.2- 1.6mm thick zinc coated steel, which helps to minimise corrosion even if the high quality powdercoat surface gets damaged in service. The sealing surface is also designed for long life. B&R is the only enclosure manufacturer in the business to feature a flat face seal. This reduces pressure on the gasket which in turn extends the gasket life.

The unique wall mounting feature ensures typical installations are quick and easy, with no risk of drilling holes that may let water or dust into the system. Standard enclosures come complete with threaded bolt holes on the back that can be used either with B&R's optional mounting brackets, or your own mounting system.

The range also comes complete with accessories commonly required for general purpose enclosure applications. These include a mounting pan, gland plate (on models 200mm deep and above), earth strap kit and turnbuckle lock. Other accessories and lock options are also available on request.

The Universal NI is available off-the-shelf, and can also be supplied in 316 stainless steel should the application demand it.

Contact your local B&R office for details
www.brenclosures.com.au

TECHNICAL INFORMATION



Model	Dimensions (mm)				Mounting Pan (mm)	
	Height	Width	Depth	Usable Depth*	Height	Width
NI03021	300	200	150	125	250	150
NI03031	300	300	150	125	250	250
NI03041	300	400	150	125	250	350
NI03042	300	400	200	175	250	350
NI04032	400	300	200	175	350	250
NI04042	400	400	200	175	350	350
NI04062	400	600	200	175	350	550
NI05042	500	400	200	175	450	350
NI05052	500	500	200	175	450	450
NI06042	600	400	200	175	550	350
NI06062	600	600	200	175	550	550
NI08062	800	600	200	175	750	550
NI10062	1000	600	200	175	950	550
NI04043	400	400	300	275	350	350
NI04063	400	600	300	275	350	550
NI06043	600	400	300	275	550	350
NI06063	600	600	300	275	550	550
NI08063	800	600	300	275	750	550
NI08083	800	800	300	275	750	750
NI10063	1000	600	300	275	950	550
NI10083	1000	800	300	275	950	750
NI12083	1200	800	300	275	1150	750



* Mounting pan to underside of door



SPECIAL FEATURES

- NATA tested to IP66 protection rating
- Corrosion resistant zinc coated steel with powdercoat paint finish
- Robust fully welded construction
- Easy access with a reversible door opening to 120°
- Water is prevented from entering the enclosure on opening by a specially design gutter system
- Foamed in place polyurethane gasket
- Flexible equipment mounting options including door rails and a mounting pan
- Gland plates supplied on 200mm and 300mm deep enclosures
- Robust 7mm square chrome locking system

SALES OFFICES

Queensland (Brisbane)
Ph 07 3714 1000

Queensland (Townsville)
Ph 07 4775 6255

New South Wales (Sydney)
Ph 02 9687 0077

New South Wales (Newcastle)
Ph 02 4961 4433

Victoria (Melbourne)
Ph 03 8588 8400

South Australia (Adelaide)
Ph 08 8243 1166

Western Australia (Perth)
Ph 08 9248 9744

Tasmania (Launceston)
Ph 03 6331 5545

Northern Territory (Darwin)
Ph 08 8947 0870



www.brenclosures.com.au

Ph: 03 5278 8222 Fax: 03 5278 9761

65 Douro Street, North Geelong VIC 3215

www.factorycontrols.com.au