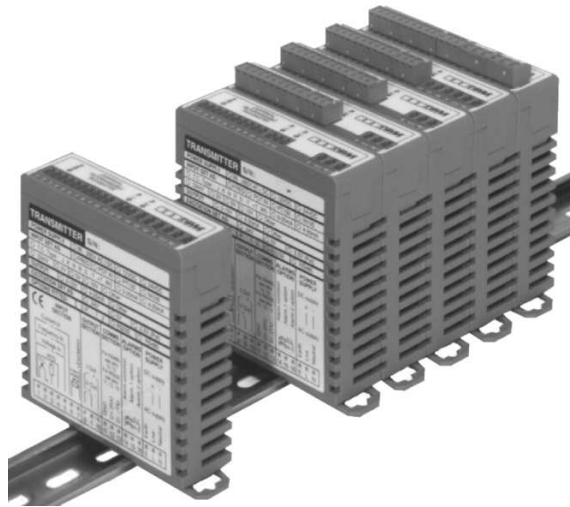


# MODEL 9600 LOOP ISOLATOR



Ph: 03 5278 8222 Fax: 03 5278 9761  
65 Douro Street, North Geelong VIC 3215  
[www.factorycontrols.com.au](http://www.factorycontrols.com.au)



The Model 9600 is a miniature space saving DIN rail mount loop powered isolator designed specifically to eliminate ground loop measurement problems.

The unit generates an output current to flow in a load which is the same as the input current but galvanically isolated.

The unit boasts galvanic isolation in excess of 1000V between input and output and requires no additional power supply. The model 9600 can be factory fitted with 1 or 2 loop isolators in the same housing. The dual unit can also be used to obtain two isolated outputs from one input (wired in series).

## FEATURES

---

- DIN rail mount 92 x 92 x 26mm enclosure, UI94 V-O flame retardant plastic
- Low cost - high performance design
- Loop powered - no additional power supply required
- 0-30mA input/output current
- Galvanic isolation between input and output > 1000V
- Less than 0.25% transmission error and linearity error
- 1 or 2 loop isolators can be ordered in the same enclosure (-B1 or -B2)
- Meets European EMC directive 89/336/EEC & Low Voltage directive 73/23/EEC
- 3 year guarantee

## TECHNICAL SPECIFICATIONS

---

Max input current	30mA
Max output load	500 Ohms
Volt drop	<4V
Galvanic Isolation	>1000V
Transmission error	Typically < 0.25%
Load change error	0.03% per 100 Ohm
Frequency Response	0.5ms
Input Protection	30V Overload and reverse voltage

## ENVIRONMENTAL

---

Operating temperature range	0 to +50 degrees C
Storage temperature range	-40 to +80 degrees C
Humidity	< 85% non-condensing

# SPECIFICATIONS & CONNECTION DIAGRAM

## MECHANICAL SPECIFICATION

Dimensions  
Protection

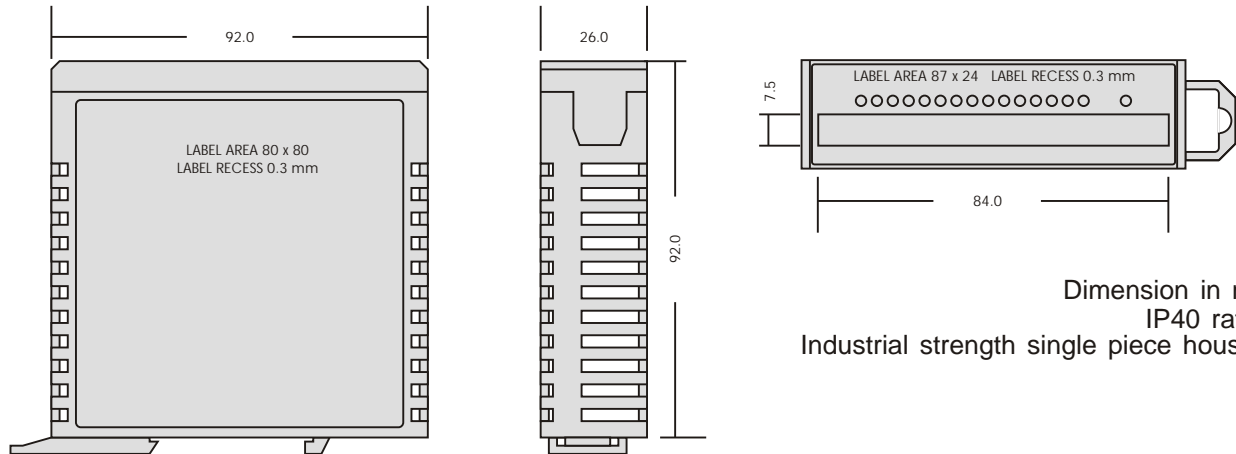
DIN rail mount 92 x 92 x 26mm enclosure. IP40 rating  
Industrial strength, UL94V-0 flame retardant ABS plastic

## REGULATORY COMPLIANCE

Regulatory requirements

Complies with EC directives 89/336/EEC & 73/23/EEC

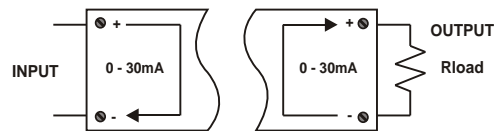
## HOUSING DIMENSIONS



Dimension in mm  
IP40 rating  
Industrial strength single piece housing

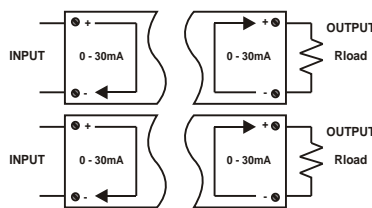
## Application Examples

9600-B1 One isolated output with single input



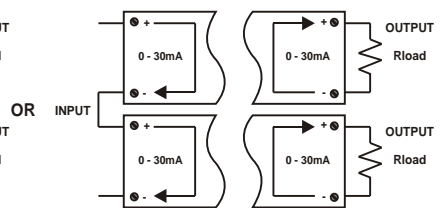
Note: Load must not exceed 500 Ohms

9600-B2 Two isolated outputs with two inputs



Note: Individual loads must not exceed 500 Ohms

9600-B2 Two isolated outputs with single input



Note: Combined Load must not exceed 500 Ohms

<b>DIN-RAIL 0-30mA LOOP ISOLATOR</b>						<b>S/N: 9600</b>																																																					
<b>UNITS INSTALLED:</b>						<input type="radio"/> 1		<input type="radio"/> 2																																																			
<table border="1"> <thead> <tr> <th colspan="6">INPUT</th> <th colspan="6">OUTPUT</th> </tr> <tr> <th colspan="3">INPUT A</th> <th colspan="3">INPUT B</th> <th colspan="3">OUTPUT A</th> <th colspan="3">OUTPUT B</th> </tr> <tr> <th>mA -</th> <th>mA +</th> <th>mA -</th> <th>mA +</th> <th>mA -</th> <th>mA +</th> <th>mA -</th> <th>mA +</th> <th>mA -</th> <th>mA +</th> <th>mA -</th> <th>mA +</th> </tr> </thead> <tbody> <tr> <td>1</td><td>2</td><td>3</td> <td>4</td><td>5</td><td>6</td> <td>7</td><td>8</td><td>9</td> <td>10</td><td>11</td><td>12</td> </tr> </tbody> </table>						INPUT						OUTPUT						INPUT A			INPUT B			OUTPUT A			OUTPUT B			mA -	mA +	mA -	mA +	mA -	mA +	mA -	mA +	mA -	mA +	mA -	mA +	1	2	3	4	5	6	7	8	9	10	11	12						
INPUT						OUTPUT																																																					
INPUT A			INPUT B			OUTPUT A			OUTPUT B																																																		
mA -	mA +	mA -	mA +	mA -	mA +	mA -	mA +	mA -	mA +	mA -	mA +																																																
1	2	3	4	5	6	7	8	9	10	11	12																																																



This product is guaranteed against faulty workmanship or defective material, for a period of 1 (one) year from the date of delivery by INSTROTECH.

INSTROTECH undertakes to replace without charge all defective equipment which is returned during the period of guarantee (transportation costs prepaid) provided there is no evidence that the equipment has been abused or mishandled in any way.

In the interests of continuous product improvement, INSTROTECH reserves the right to alter any specification without prior notice.



Ph: 03 5278 8222 Fax: 03 5278 9761  
65 Douro Street, North Geelong VIC 3215  
[www.factorycontrols.com.au](http://www.factorycontrols.com.au)