



Enables Conformance to SEMI S2-0200 and SEMATECH Application Guide for S2-93

# Flush-mount E-stop Shroud

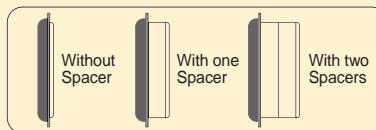
## A22Z-EG2 Series



Recessed design provides neat appearance.



- Minimizes accidental activation, preventing operating errors.
- Does not obstruct down flow of air.
- Spacers can be used to adjust amount of protrusion.

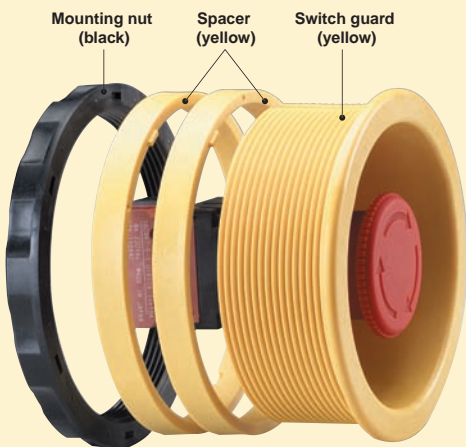


### SEMI S2-0200

12.4 All emergency off buttons should be clearly labeled as "EMO," "Emergency Off," or the equivalent and should be clearly legible from the viewing location. The label may appear on the button or on the yellow background.

### SEMATECH Application Guide for SEMI S2-93

12.4.c The EMO should be located in an area not subject to accidental activation. If a button guard is installed, its diameter should be no less than 75 mm (3 inches) with the button recessed no more than 3 mm (0.125 inches) from the front of the guard, or equivalently configured to allow for palm activation.



The Switch is not included with this product.

**Note:** The EMERGENCY OFF legend plate is not provided in a set. Prepare separately or purchase the A22Z-3466-2.

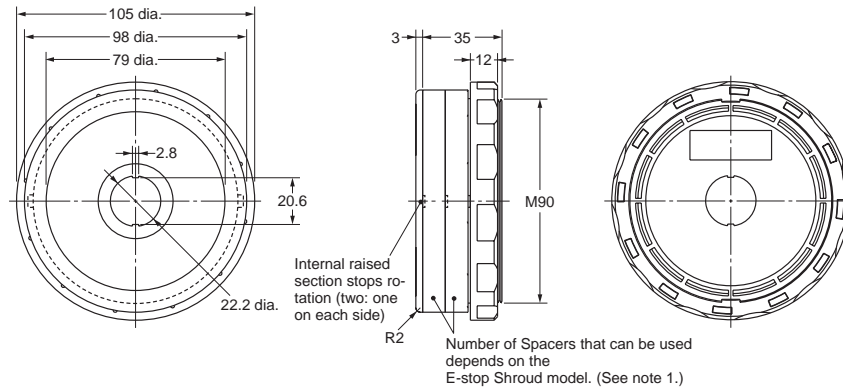
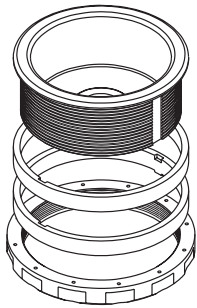
Details	Model
Spacer not included	A22Z-EG2
Spacer included (one)	A22Z-EG21
Spacers included (two)	A22Z-EG22
EMERGENCY OFF legend plate	A22Z-3466-2

For details on Emergency Stop Switches, refer to the *Safety Component Series Catalog* (Y106) and *Pushbutton Switches Catalog* (X032).

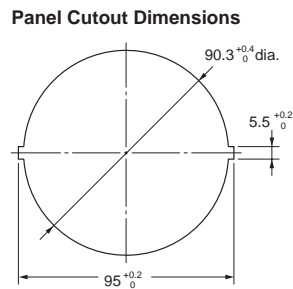
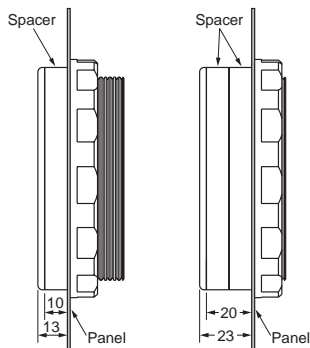
This product can be used when configuring a safety system complying with SEMI S2-0200 and SEMATECH Application Guide for SEMI S2-93. This product conforms to these standards provided that it is used in combination with an OMRON A22E-series Emergency Stop Switch.

■ Dimensions (Unit: mm)

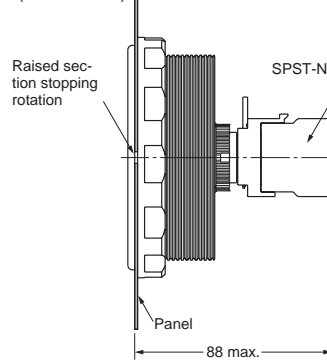
A22Z-EG2  
A22Z-EG21  
A22Z-EG22



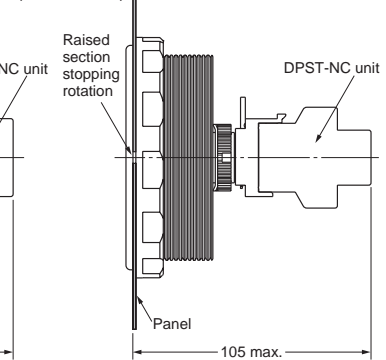
Using One Spacer    Using Two Spacers



Using Single-pole Switch Unit  
(See note 4.)



Using Double-pole Switch Unit  
(See note 4.)



**Introducing New E-stop Shroud Set**

The SEMI S2-compliant E-stop Shroud Set includes a SEMI S2-compliant E-stop Shroud and EMERGENCY OFF legend plate.

**A22Z-EG1**

For details, refer to the A22E Series and Accessories Brochure (A160-E1-01).



The E-stop Shroud Set does not include the Switch.

Note 1: The number of Spacers that can be used depends on the E-stop Shroud model, as follows:

Model	Number of Spacers
A22Z-EG2	0
A22Z-EG21	1
A22Z-EG22	2

Note 2: Tighten to a torque of 1.96 to 2.94 N•m.

Note 3: The allowable panel thickness is as follows:

- Without Spacers: t = 1.3 to 22.5 mm
- Using one Spacer: t = 1.3 to 12.5 mm
- Using two Spacers: t = 1.3 to 2.5 mm

Note 4: The dimensions are taken from the front of the panel when a Switch is installed.

**General Precautions**

- The application examples in this brochure are provided for reference purposes only. Always check the functions and safety of devices and equipment before using them with this product.
- Before using the product under conditions which are not described in the brochure or applying the product to nuclear control systems, railroad systems, aviation systems, vehicles, combustion systems, medical equipment, amusement machines, safety equipment, and other systems, machines, and equipment that may have a serious influence on lives and property if used improperly, consult your OMRON representative.
- Make sure that the ratings and performance characteristics of the product are sufficient for the systems, machines, and equipment, and be sure to provide the systems, machines, and equipment with double safety mechanisms.

Authorized Distributor:



Ph: 03 5278 8222 Fax: 03 5278 9761  
65 Douro Street, North Geelong VIC 3215  
[www.factorycontrols.com.au](http://www.factorycontrols.com.au)