

Universal Signal Conditioner v1 USC701

DESCRIPTION

The **USC701** is a *universal* signal conditioner that combines measurement and control functions in a single instrument to provide user selectable solutions for most signal conditioning applications. The USC701 can be programmed directly using the Access Module or a personal computer. The user can also adjust basic calibration functions such as zero, span and trip point via a function switch and digital encoder accessible on the lid. The USC701 has a comprehensive range of *user selectable hardware options*. These include dual analogue inputs, dual digital inputs, current or voltage retransmission, sensor supply and isolated trip relays. The USC701 provides a substantial range of software functionality. These include maximum demand control, dual input functions with A*B, A/B, A+B, A-B, largest of A and B, average of A and B, 100 point linearise, PID control, speed measurement, digital filter options.



General Specifications

Size: 80W x 70H x 110D mm.
 Housing material: Polycarbonate, aluminium.
 Mounting: DIN-Rail, gear plate.
 Termination: Plug in screw terminals.
 Weight: 0.3 kg.
 Protection class: IP40 (IP65 Enclosure opt.)
 Electromagnetic compatibility: Complies with AS/NZS 4251.1 (EN 50081.1)

Operating temp. range: 0...+70°C.
 Storage temp. range: -20...+70°C.
 Isolation: 1000Vac r.m.s. /1500Vdc.
 Temperature effect: 0.02% per °C.
 Measurement Linearity: ±0.01% of range
 Measurement Accuracy: typ ±0.05%dc, ±0.2%ac input range
 Resolution: ±0.0025% of range
 Update time: 16.6 msec minimum
 Filtering/averaging: programmable
 Power Supply -1: 80-300Vdc / 80-280Vac
 Power Supply -2: 10 - 60Vdc / 16 - 42Vac
 Power requirement: 4VA

Auxiliary Excitation Output

Voltage source: 3V to 18V @ 50 mA max
 Current source: 1 x 100µA external,
 1 x 100µA internal.

Mathematical functions

+, -, *, /, absolute value, minimum, maximum, scaling, taring; plus logical functions

Application Functions

Minimum and maximum hold, multiple one hundred and one point linearisation plus alarm functions.

Analogue Inputs

Number of channels: either 2 single ended or one differential pair.
 Input resistance: 15k to 4.4MΩ (V), 83Ω (I)

Programmable ranges

Voltage dc: ±(400, 100, 30, 10, 4.5, 1Vdc)
 mV dc: ±(300, 100, 30mV)
 Current dc: ±(75, 30, 10, 1mA)
 Voltage ac: 300, 75, 25, 7, 3Vac (25-70 Hz)
 mVac: 700, 250, 75, 20mV (25-70 Hz)
 Current ac: 50, 20, 7, 0.7mA (25-70 Hz).
 Resistance: 30, 10, 3, 1, 0.3kΩ (2, 3, or 4 wire).
 Potentiometer: 100Ω minimum
 RTD (Pt100) linearised to ±0.1°C
 850°C ±0.2°C, 600°C ±0.1°C
 Thermocouple: linearised to ± 0.1°C
 types: B, E, J, K, N, R, S, T
 accuracy depends on Type & range
 cold junction comp ± 1°C
 ±0.05°C
 Up/downscale burn-out by external resistor

Accessories

Order Code	Unit Type
AM702-02	Access Module
COA703-01	Computer Adaptor



03 5278 8222

sales@factorycontrols.com.au

www.factorycontrols.com.au

65 Douro Street, North Geelong Victoria 3215

For input / output combinations refer to TYPE NO. DESIGNATION overleaf.

Two Relay Outputs

Contacts: N/O 8A/250Vac resistive,
3.5A/250Vac Inductive
Action: Programmable: direct,
Reverse, window, latch
Dead band: Programmable.
Delays: on/off up to 1 hour
Contact isolation: 2kV.

Digital Inputs

Number of channels: 2
Range: +/-30V,
Input resistance: 20k
Trigger level: 0 to 28V adjustable
Programmable ranges
Frequency: 1pulse/hr to 5kHz
resolution: 0.002%, accuracy:

Mains Frequency transducer:
ranges as required e.g.
48-52Hz
Phase: ±180° (for frequencies to
100Hz)
Other functions: hold, reset, enable

Isolated Analog/Open Collector Output

Open-collector: 45V, 150mA
Current dc: 0 to 22 mA (20V drive)
Voltage dc: 0 to 20V range (20mA
drive)
Accuracy: 0.1% of range.
Linearity: 0.05% of range
Response time: 50msec
Output load change effect: less than 0.2%

Isolated Digital Output

Physical: RS485, RS232 (factory
set)
Protocol: Modbus (RTU, ASCII),
talk only.

Order Code

USC701-X X X 1

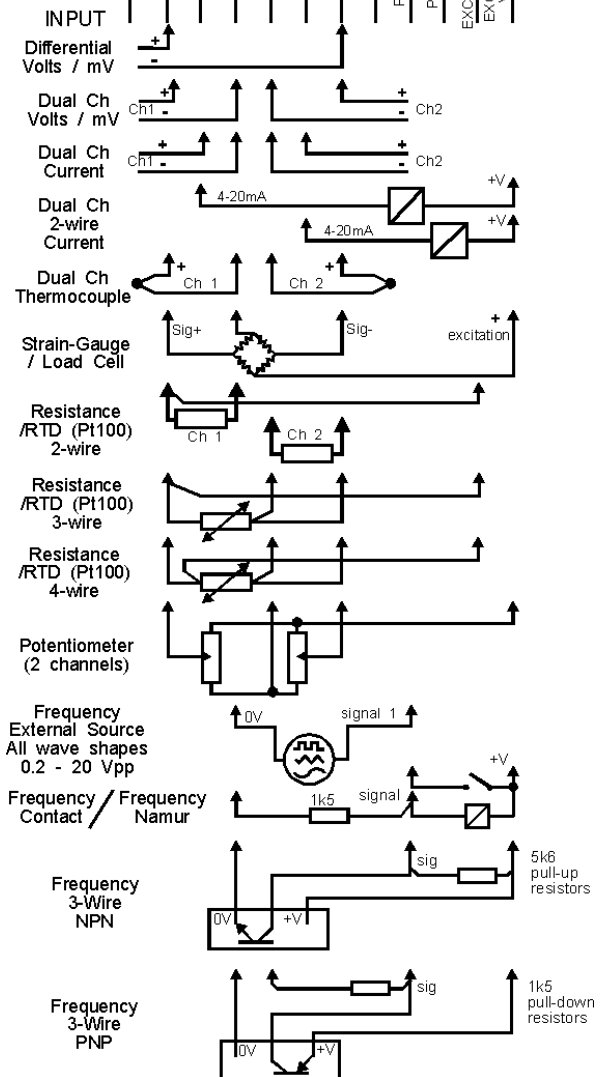
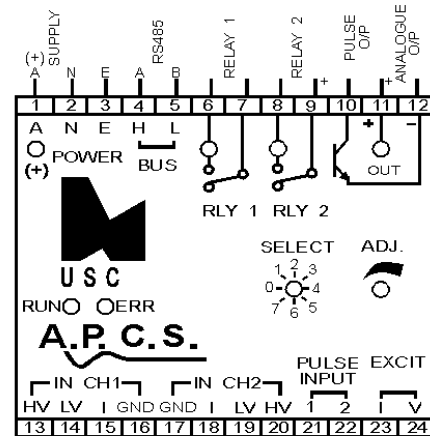
Supply: _____
1 = 80-300Vdc / 80-280Vac 50/60Hz
2 = 10V - 60Vdc / 16 - 42Vac 50/60Hz

Fieldbus: _____
0 = None
*) 1 = Modbus and Talk Only, RS232.
*) 2 = Modbus and Talk Only, RS485.

Option: _____
0 = None
*) 1 = Custom labelling (min order 50).
*) = Price Extra.

Specifications are typical after 30-minute warm-up.

In the interest of development and improvement, APCS reserve the right to amend, without notice, details contained in this publication. APCS will accept no legal liability for any errors, omissions or amendments.



PROUDLY DISTRIBUTED BY

FACTORY CONTROLS
03 5278 8222
sales@factorycontrols.com.au
www.factorycontrols.com.au
65 Douro Street, North Geelong Victoria 3215